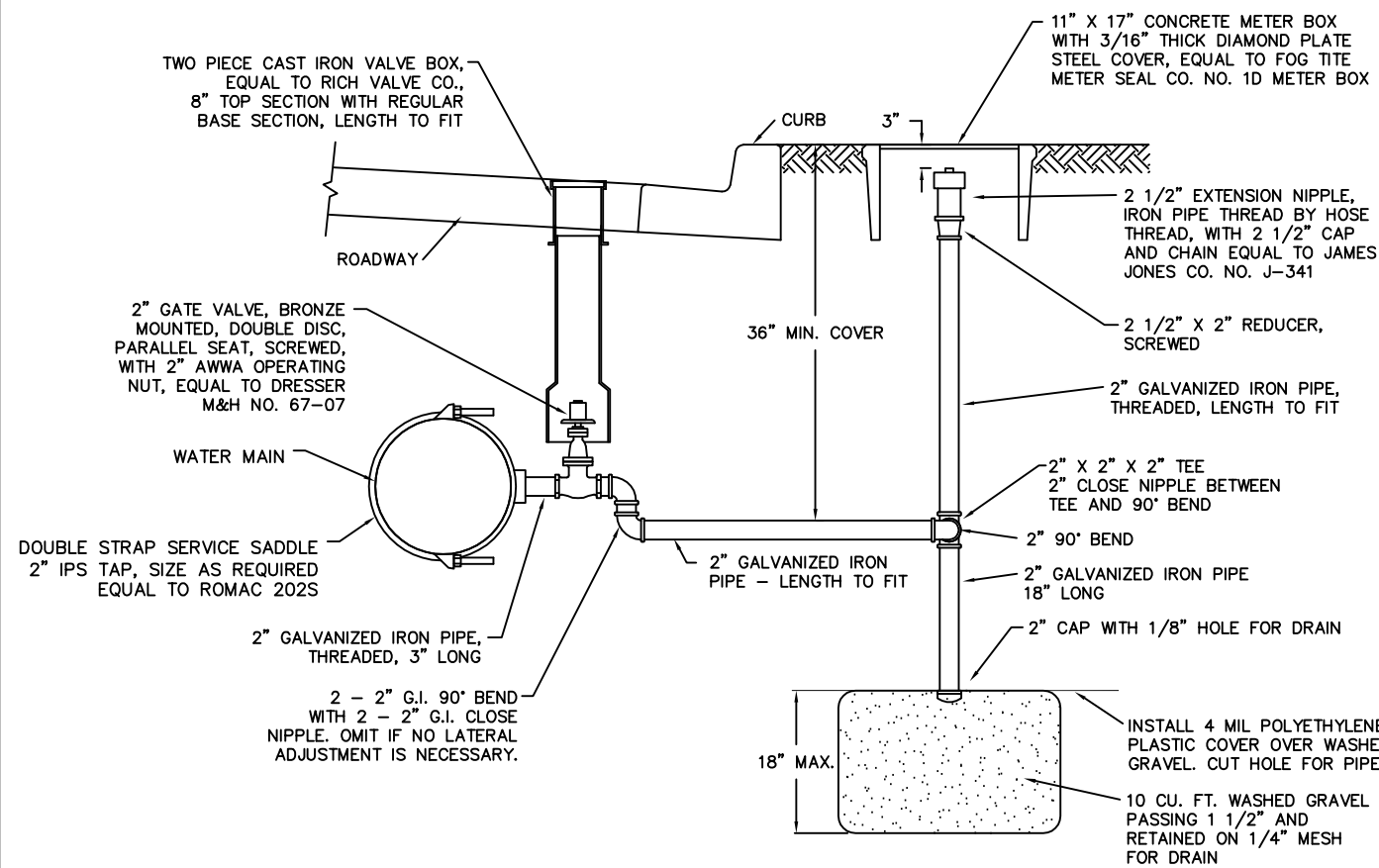


PLAN



ELEVATION

2" BLOW-OFF ASSEMBLY FOR IN-LINE INSTALLATION

WATER STANDARD DETAIL

**NORTHEAST SAMMAMISH
SEWER AND WATER DISTRICT**

FILE	SCALE	DATE
SAMDTW29	NTS	9/14/93