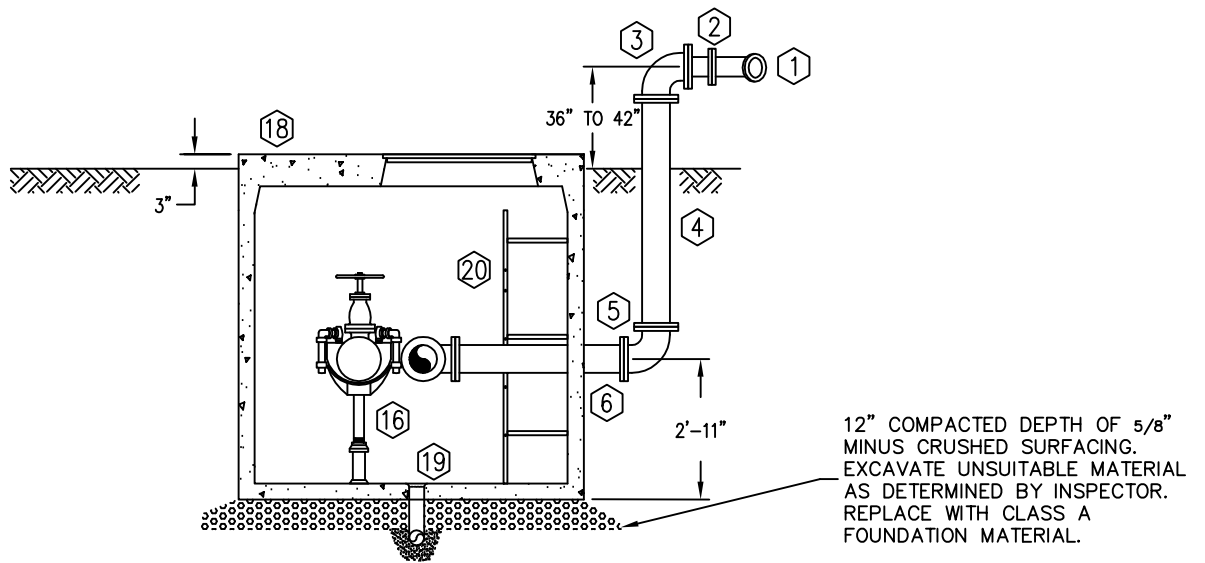


PLAN



ELEVATION

FIRE SERVICE DETAIL WITH FIRE DEPARTMENT CONNECTION

WATER STANDARD DETAIL

NORTHEAST SAMMAMISH SEWER AND WATER DISTRICT

FILE	SCALE	DATE
SAMDTW26	NTS	4/28/97