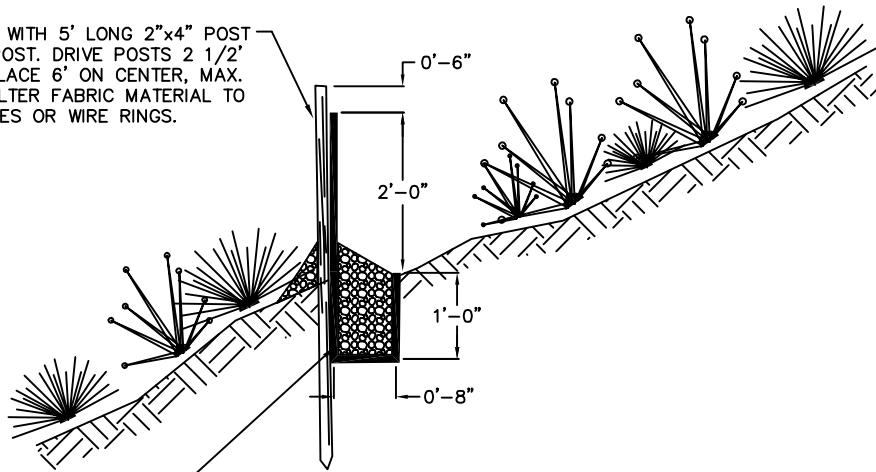


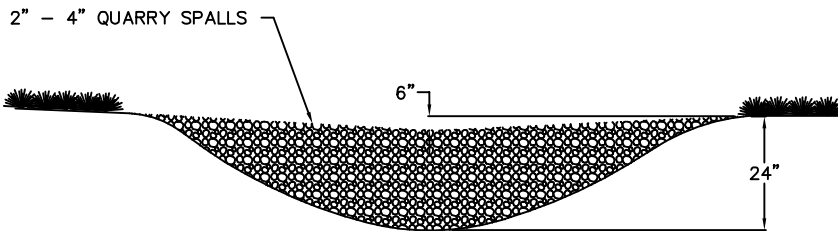
CONSTRUCT FENCE WITH 5' LONG 2"x4" POST OR STEEL FENCE POST. DRIVE POSTS 2 1/2' INTO GROUND & PLACE 6" ON CENTER, MAX. SECURE 5' WIDE FILTER FABRIC MATERIAL TO POSTS WITH STAPLES OR WIRE RINGS.



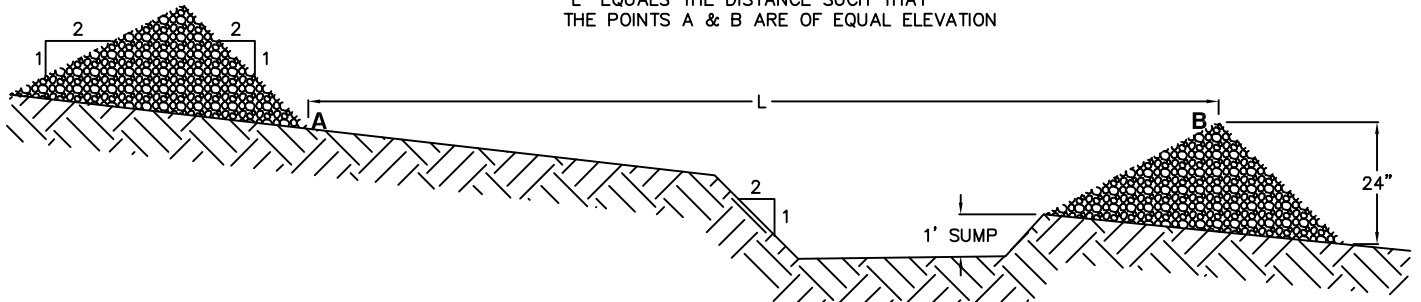
PROVIDE A 12" DEEP x 8" WIDE FABRIC LINED TROUGH, BACKFILL WITH 3/4"-1 1/2" WASHED GRAVEL. PLACE WASHED GRAVEL ON SURFACE AGAINST BOTH SIDES OF FENCE.

EROSION CONTROL FENCING

NTS



"L" EQUALS THE DISTANCE SUCH THAT THE POINTS A & B ARE OF EQUAL ELEVATION



ROCK CHECK DAM

NTS

WATER STANDARD DETAIL

NORTHEAST SAMMAMISH
SEWER AND WATER DISTRICT

FILE	SCALE	DATE
SAMDTW17	NTS	12/27/93