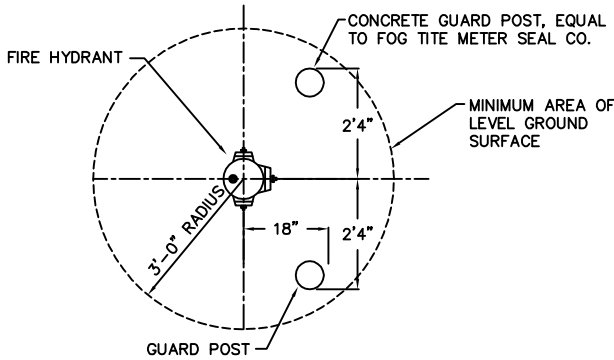
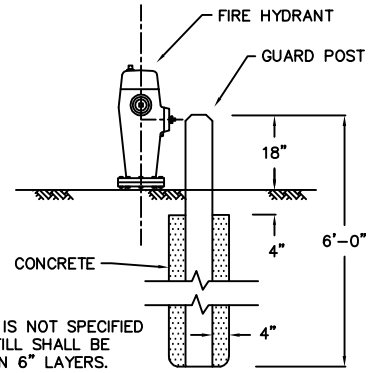


## TYPICAL FIRE HYDRANT LOCATION



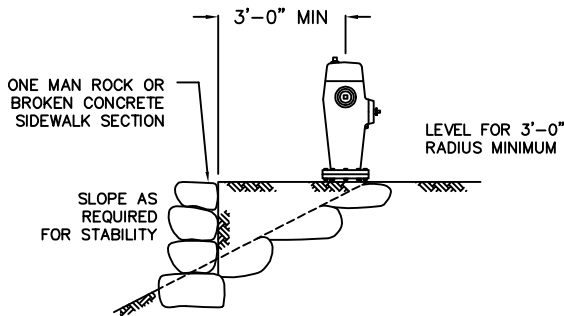
PLAN



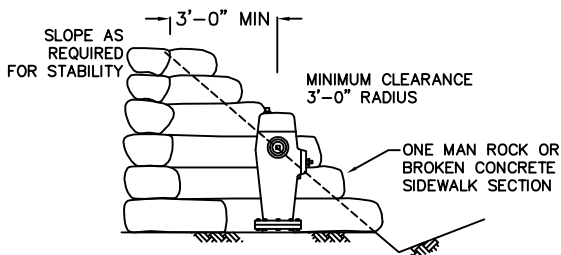
NOTE:  
IF CONCRETE IS NOT SPECIFIED  
EARTH BACKFILL SHALL BE  
COMPACTED IN 6" LAYERS.

ELEVATION

## FIRE HYDRANT GUARD POSTS



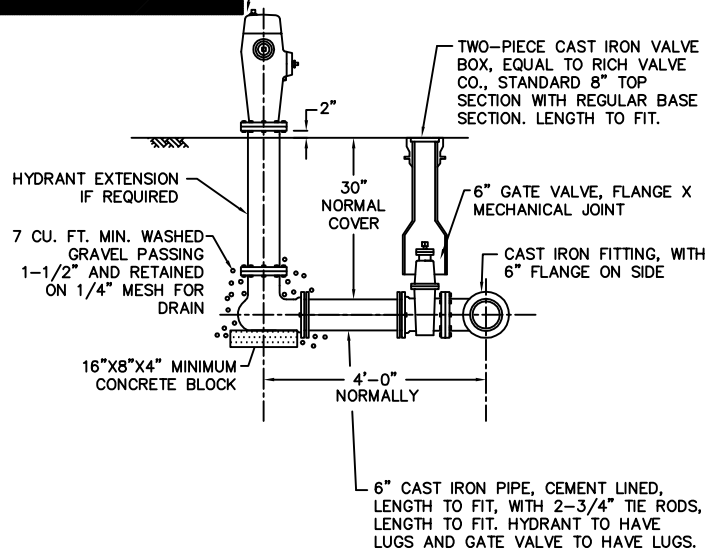
FILL



CUT

NOTE:  
FIRE DISTRICT #10 -  
NATIONAL STANDARD THREAD  
FIRE DISTRICT #34 -  
SEATTLE THREAD

COMPRESSION TYPE FIRE HYDRANT WITH ONE  
4" PUMPER CONNECTION, 5" STORZ ADAPTER,  
TWO 2-1/2" HOSE CONNECTIONS, 5-1/4" MAIN  
VALVE OPENING, 6" MECHANICAL JOINT INLET,  
1-1/4" PENTAGON OPERATING NUT. FIRE  
HYDRANT TO BE PAINTED TO MATCH EXISTING  
FIRE HYDRANTS: BODY - ICI, DEVGUARD  
INDUSTRIAL ALKYD ENAMEL 4308-6650 MEDIUM  
GREEN, TOP & BOLLARDS - ICI, DEVOE  
4308-1000 WHITE



## FIRE HYDRANT LOCATION IN CUT OR FILL

## FIRE HYDRANT ASSEMBLY

# WATER STANDARD DETAIL

NORTHEAST SAMMAMISH  
SEWER AND WATER DISTRICT

| FILE    | SCALE | DATE    |
|---------|-------|---------|
| SAMDTW1 | NTS   | 9/14/93 |