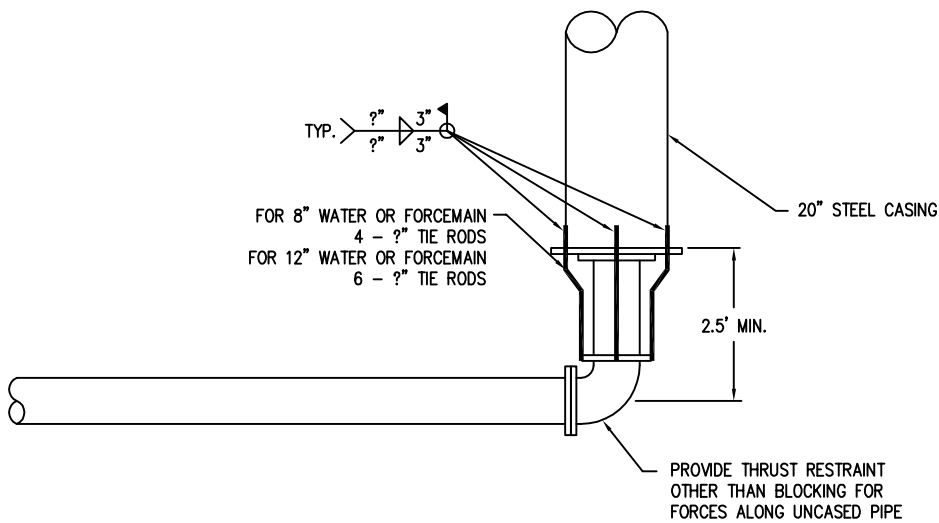


BORE CASING THRUST RESTRAINT-TEE

NTS



BORE CASING THRUST RESTRAINT-90 BEND

NTS

SEWER STANDARD DETAIL

NORTHEAST SAMMAMISH SEWER AND WATER DISTRICT

FILE	SCALE	DATE
SAMDT517	NTS	11/19/93