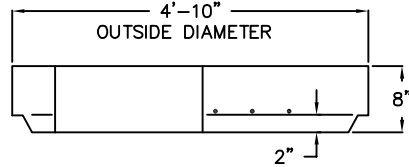
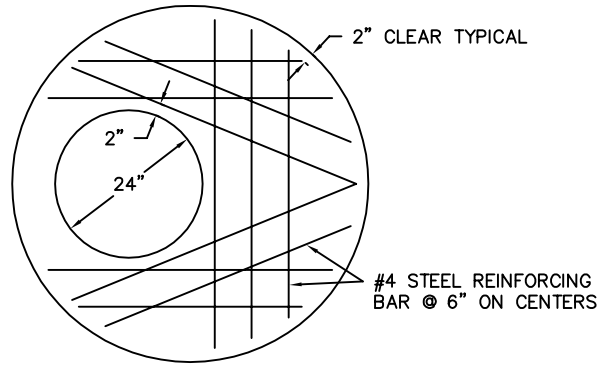
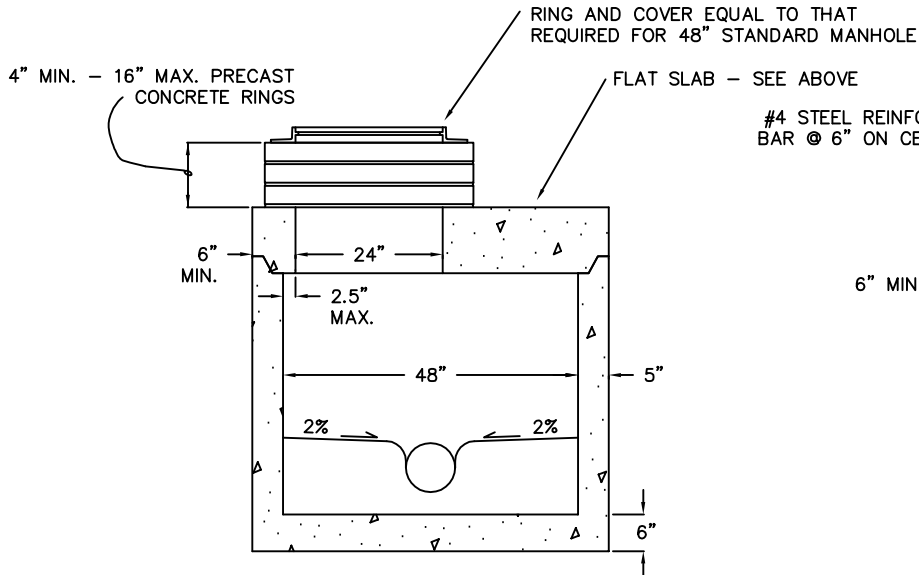


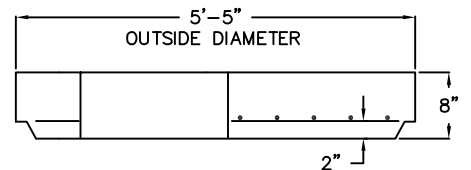
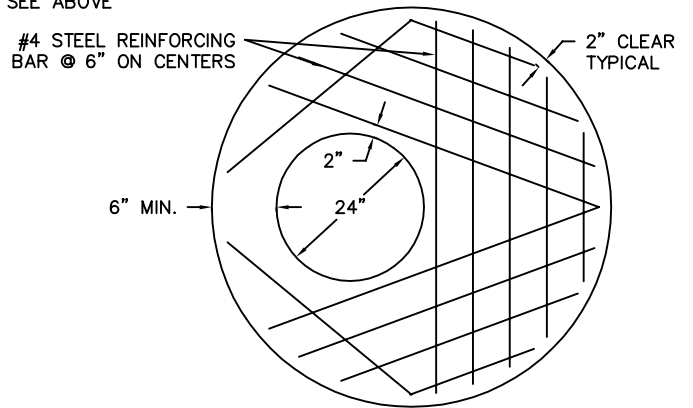
PLAN



**FLAT SLAB FOR
48" MANHOLE**



SHORT MANHOLE
LESS THAN 6'-0" DEEP



**FLAT SLAB FOR
54" MANHOLE**

NOTE: SEE "MANHOLE GENERAL NOTES"
FROM STANDARD MANHOLE DETAIL

SEWER STANDARD DETAIL

NORTHEAST SAMMAMISH
SEWER AND WATER DISTRICT

FILE	SCALE	DATE
SAMDTS4	NTS	12/27/93